

ENGINE

Complies with European Directive	97/68 CE
Max Power	HP - kW 151 - 111
Regimen adjusted	rpm 2200
Number of cylinders - injection	4 - direct - electronic
Intake	Turbo feeded intercooler
Cooling	Water
Air filter with double protection	Dry
Electrical equipment	12 volt
Free maintenance battery	180 Ah
Self regulated alternator	1140 W
Fuel tank capacity	180 l
Water radiator	Hydraulic fan

TRANSMISSION

High-pressure, closed-loop hydrostatic transmission, with automatic adjustment of power, pump at variable capacity, n°2 hydraulic motors with axial pistons at variable displacement. Inching hydraulic control for traction regulation, modulating, integrated in the service brake pedal. 3 speeds forwards and 3 speeds reverse with electric control on the steering wheel and on the joystick with the possibility to change speed and reverse in motion and under load (HYDROSTATIC SHIFT).

SPEED

		1 st	2 nd	3 rd
Forwards	Km/h	0 ÷ 5	0 ÷ 18	0 ÷ 40
Reverse	Km/h	0 ÷ 5	0 ÷ 18	0 ÷ 40

AXLES

With epicycloids reduction on all four driving wheels.

Front axle: rigid with automatic proportional self-locking differential.

Rear axle: oscillating of a 25° total range tilting and automatic proportional self-locking differential.

BRAKES

Duty brakes:	with hydraulic control on all four wheels at multiple disks under oil bath integrated in the axels, with 2 independent circuits.
Parking brakes:	electro-hydraulic automatic negative brake, integrated in the axle electro-hydraulically acting on the front axle.

HYDRAULIC SYSTEM

Composed by: hydraulic piston pumps, with variable displacement when power changes for lift, extend and option, another gear pump for bucket and a gear pump for fan drive control; modular distributor with priority valve for steering pressure and shock-proof and anticavitation valves on uses; another independent distributor for bucket. Pressurised circuit.

Max hydraulic pumps capacity:	202 l
Max work pressure:	270 Kg/cm ²
Loader lifting cylinder:	Bore x Stroke 110 x 750 mm
Loader bucket cylinder:	Bore x Stroke 120 x 490 mm
Oil tank capacity:	80 l
Heat exchanger:	hydraulic fan

STEERING

Servoassisted, with steer motor at double displacement and articulated chassis. Total steering angle of 80°. The steering hydraulic system is:

Steering radius interior tyres	3050 mm
Steering radius exterior tyres	5470 mm
Steering radius exterior bucket	5970 mm

TYRES

Standard:	20,5 - 25
Optional:	20,5 R 25
Other models on request.	

LOADER

Single electronic servo control lever for arm and bucket.
 Electronic bucket levelling and electronic parallelism with forks.
 Telescopic boom, with 1500 mm extension.

DIMENSIONS

Wheelbase	2900 mm
Front and rear track width	1860 mm
External tyres width	(with 20,5 x 25) 2440 mm

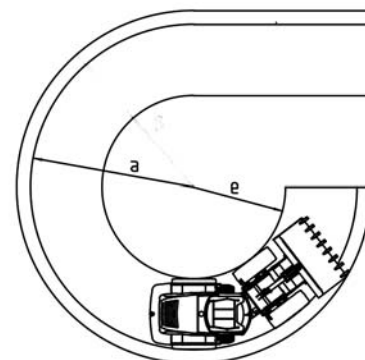
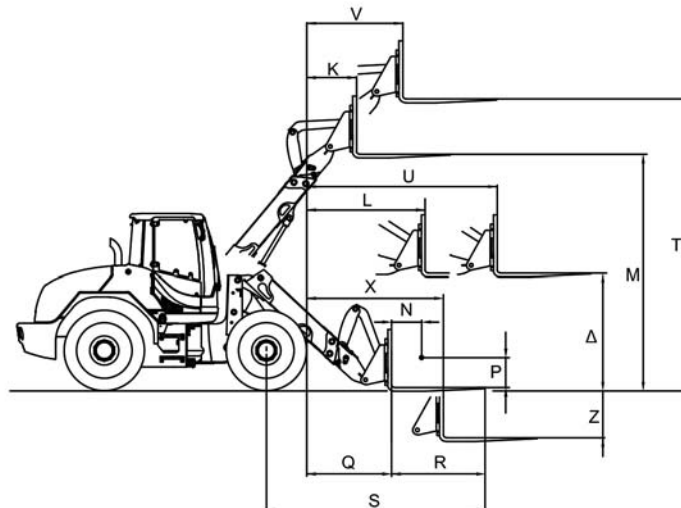
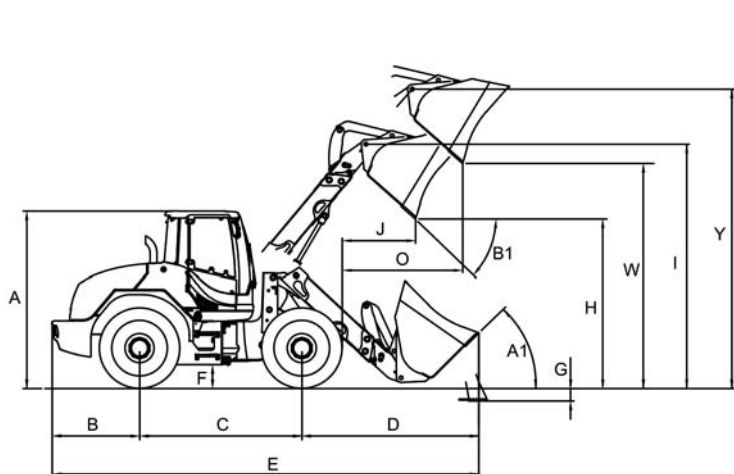
STANDARD EQUIPMENT

- Loader servo control
- Automatic proportional self-locking differential on front and rear axle
- Inching control on brake pedal (transmission speed regulations)
- Antipollution tank plug
- Bucket with screwed teeth
- Reverse motion alarm
- Battery disconnecting switch
- Front and rear work lights
- Rotating lamp with magnetic fixing
- Shock absorbing and regulating "Deluxe" seat, with safety belt
- Regulating steering wheel
- Bucket electronic levelling
- Floating system
- Heating plant
- Air filter in aspiration from outside
- Rotoform front mudguards
- Tool box
- Use and maintenance manual, spare parts catalogue
- Accessories for road circulation
- Italian road homologation for daily and night circulation
- CE Certification

OPTIONAL EQUIPMENT

- Hydraulic quick bucket connection
- Universal forks
- Enlarged bucket
- Extra enlarged bucket for light material
- Enlarged bucket for light material having higher unloading
- Paper and branches grab
- Bucket with side unloading
- Mixer bucket
- Wood grab
- Snow blade or snow plough
- Front rotating brush with bucket
- Teeth blade
- Asphalt concrete milling
- Inching control manually operated
- Electronic weighting system
- Air conditioning
- Radio
- Theft protection
- Ride control
- Floating elements
- Empowered battery 12V 185 Ah

For other accessories and equipment for characteristics and dimension, please see the "equipment catalogue".



Date according to bucket type PT 1102 with 20,5 x 25 tyres	STD.	ENLARGED	EXTRA ENLARGED	XXL
Capacity heaped	m ³ 2,0	2,5	3,0	5
Material density	kg/m ³ 1800	1500	1200	320
Tipping load with aligned machine (ISO 14397) retracted boom	kg 7678	5832	5719	5922
Tipping load in max articulated position (40°) (ISO 14397) retracted	kg 6900	5319	5216	5401
Tipping load with aligned machine (ISO 14397) extended boom	kg 4164	3082	2998	3040
Tipping load in max articulated position (40°) (ISO 14397) extended	kg 3740	2811	2735	2857
Lifting capacity at max height retracted boom	kN 59,08	56,12	55,00	49,92
Lifting capacity at max height extended boom	kN 37,93	36,03	35,30	31,70
Breakout force	kN 89,96	85,45	85,45	76,90
E Total length	mm 7320	7392	7535	7815
Bucket width	mm 2540	2540	3000	3000
Rotation diameter	mm 12220	12400	12810	13080
G digging depth	mm 100	100	100	100
H dump height 45° retracted	mm 3470	3270	3270	3020
W dump height 45° extended	mm 4620	4420	4420	4220
D outreach	mm 2960	3032	3175	3455
J reach at max height retracted	mm 1150	1286	1240	1405
O reach at max height extended	mm 2115	2250	2200	2370
Operating weight	kg 12200	12300	12500	12600

PT 1102 20,5 x 25 tyres	
A	3065 mm
B	1460 mm
C	2900 mm
F	515 mm
e	3040 mm
a	5480 mm
I	4360 mm
Y	5420 mm
K	840 mm
L	2120 mm
M	4224 mm
N	500 mm
P	500 mm
Q	1602 mm
R	1400 mm
S	3742 mm
T	5376 mm
U	3620 mm
V	1806 mm
Z	796 mm
X	2847 mm
Δ	1740 mm
A1	45°
B1	45°

Data with universal forks Centre of gravity 500 mm	
Operative load with retracted forks EN 474-3 (80%)	kg 4425
Operative load with retracted forks EN 474-3 (60%)	kg 3319
Operative load with extended forks EN 474-3 (80%)	kg 2612
Operative load with extended forks EN 474-3 (60%)	kg 1960

PALOAD is mark produced by Palazzani Industrie S.p.A.
NC 408 A 16 Technical sheet PT 1102 english